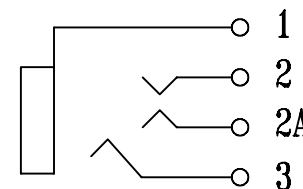
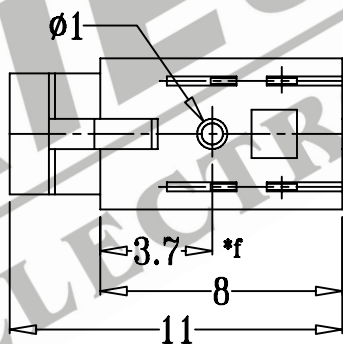
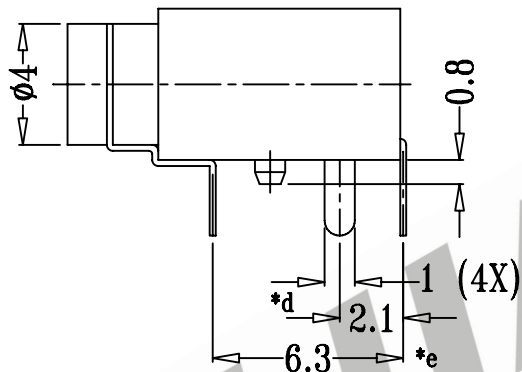
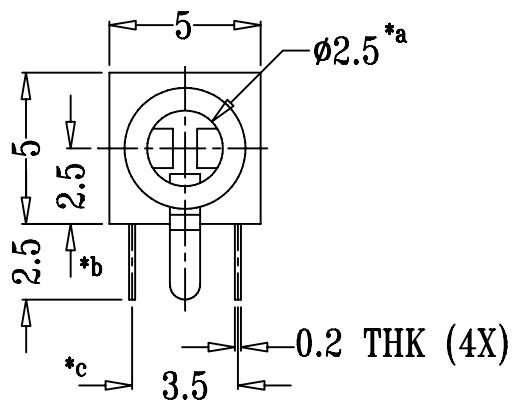
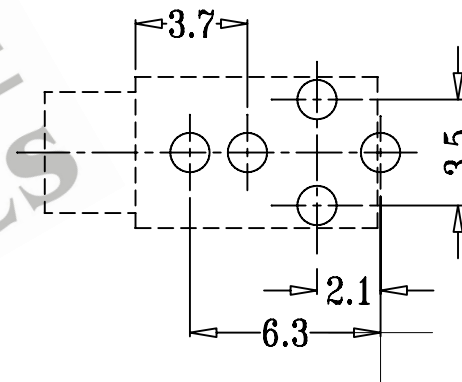


CAD FILE:



SCHEMATIC



P.C.B LAYOUT

注:带*表示关键尺寸(6个)

NO.	PARTS	MATERIALS	Q'TY	FINISH	TOLERANCE UNLESS SPECIFIED		SHENZHEN XIEJIA ELECTRONICS CO.,LTD.													
8					WITHIN: 1.5±0.1mm OVER: 1.5±0.2mm		<table border="1"> <tr> <td>ISSUE</td> <td>DATE</td> <td colspan="2">DESCRIPTIONS OF REVISION</td> <td>APPD.</td> </tr> <tr> <td></td> <td></td> <td colspan="2"></td> <td></td> </tr> </table>				ISSUE	DATE	DESCRIPTIONS OF REVISION		APPD.					
ISSUE	DATE	DESCRIPTIONS OF REVISION		APPD.																
7																				
6	SPRING TERMINAL A	STAINLESS STEEL	1	Ag PLATED OVER Ni PLATED																
5	CASE	PC/NYLON	1	BLACK																
4	TERMINAL	PBS STRIP	1	Ag PLATED OVER Ni PLATED	TITLE : PHONE JACK		UNIT : mm		DRWG NO.: XJ-DR-ST200-00											
3	SOCKET	BRASS	1	Ni PLATED																
2	SPRING TERMINAL B	PBS STRIP	1	Ag PLATED OVER Ni PLATED	MODEL: ST-200		SCALE: 4:1		DWN.	ZHOUYU	2004-4-12									
1	SPRING TERMINAL C	PBS STRIP	1	Ag PLATED OVER Ni PLATED					CHK'D	FANGYING	2004-4-12									
					ALL MATERIALS MUST BE COMPLIANT TO ROHS		APPD.	KANGXINAN	2004-4-12											